

Product data sheet

Specifications



intrinsically safe discrete output module - open collector - 24 V - 5 W

140DIO33000

⚠ Discontinued on: Dec 31, 2010

⚠ End-of-service on: Oct 18, 2011

⚠ Discontinued - Service only

Main

Range Of Product	Modicon Quantum automation platform
Product Or Component Type	Intrinsically safe discrete output module
Software Designation	Concept V2.2 and above ProWORX Unity Pro

Complementary

Product Destination	In conjunction with products for zone 20, 21 or 22
Discrete Output Voltage	24 V
Discrete Output Type	Open collector
Maximum Load Current	360 mA per module 45 mA per point
Off State Leakage Current	0.4 mA per point
Response Time	1 ms resistive at state 0 to state 1 1 ms resistive at state 1 to state 0
Protection Type	Transient voltage suppression Internal fuse
Hot Swapping Fallback	Not allowed per intrinsic safety standards
Power Dissipation In W	5 W
Isolation Between Channels And Bus	2500 V DC for 1 minute 1780 V 47...63 Hz AC
Marking	CE II1 G/D-EEEx ia IIC
Bus Current Requirement	2.2 A
Module Format	Standard
Net Weight	0.99 lb(US) (0.45 kg)

Environment

Standards	EN 50281-1-1 CSA C22.2 No 142 Directive ATEX 94/9/EC UL 508 EN 50284 EN 50039 EN 50014 EN 50020
Dust Zone	Outside zone

Price is "List Price" and may be subject to a trade discount – check with your local distributor or retailer for actual price.

Product Certifications	C-tick GOST FM Class 1 Division 2 SIRA 02ATEX2345X
Resistance To Electrostatic Discharge	4 kV contact IEC 801-2 8 kV on air IEC 801-2
Resistance To Electromagnetic Fields	9.14 V/m (10 V/m) 80...2000 MHz IEC 801-3
Ambient Air Temperature For Operation	32...140 °F (0...60 °C)
Ambient Air Temperature For Storage	-40...185 °F (-40...85 °C)
Relative Humidity	95 % without condensation
Operating Altitude	<= 16404.2 ft (5000 m)

Ordering and shipping details

Category	18155-QUANTUM I/O & POWER SUPPLIES
Discount Schedule	PC21
Gtin	3595860026057
Returnability	No
Country Of Origin	US

Packing Units

Unit Type Of Package 1	PCE
Number Of Units In Package 1	1
Package 1 Height	1.97 in (5 cm)
Package 1 Width	12.40 in (31.5 cm)
Package 1 Length	6.50 in (16.5 cm)
Package 1 Weight	1.55 lb(US) (0.701 kg)

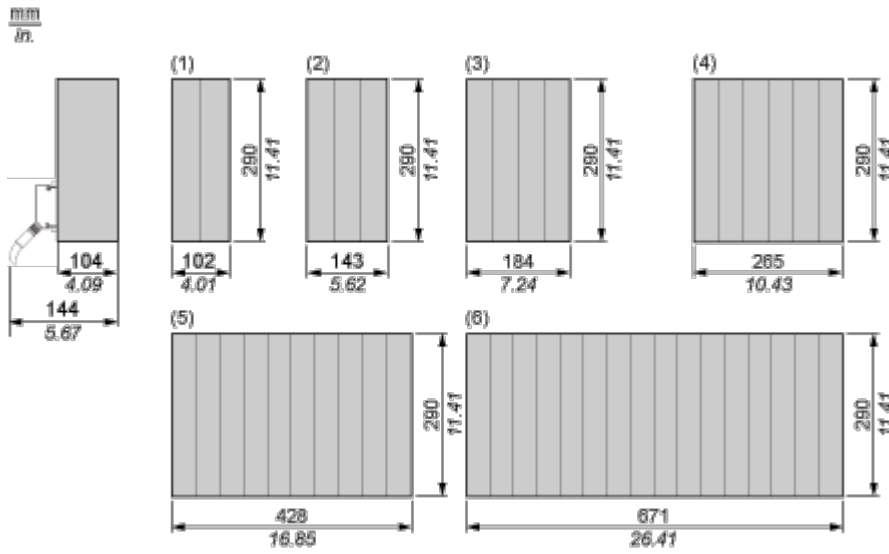
Contractual warranty

Warranty	18 months
-----------------	-----------

Dimensions Drawings

Racks for Modules Mounting

Dimensions of Modules and Racks



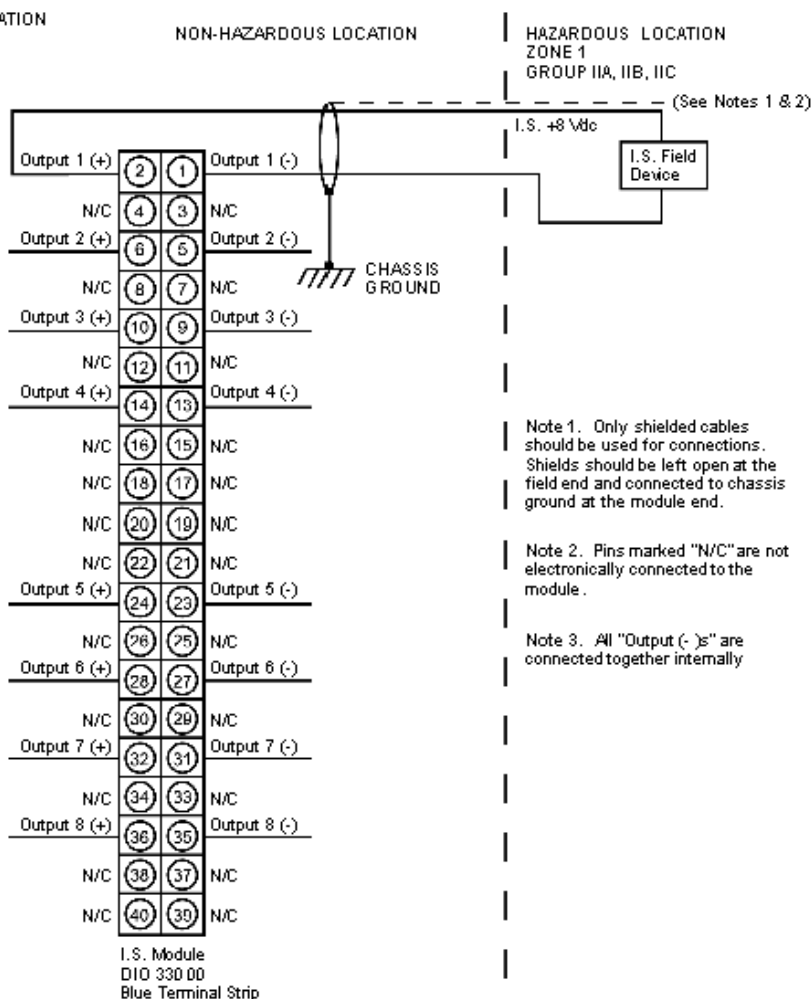
- (1) 2 slots
- (2) 3 slots
- (3) 4 slots
- (4) 6 slots
- (5) 10 slots
- (6) 16 slots

Connections and Schema

Intrinsically Safe Discrete Output Module

Cenelec Certified Wiring Diagram

CENELEC CERTIFICATION
 Entity Parameters
 per Channel:
 $V_b = 27.9 \text{ Vdc}$
 $I_o = 121 \text{ mA/ch}$
 $P_o = 840 \text{ mW/ch}$
 $C_o = 84 \text{ nF/ch}$
 $L_o = 2.2 \text{ mH/ch}$



31001366 Rev 00

140 DIO 330 00 Wiring Diagram